

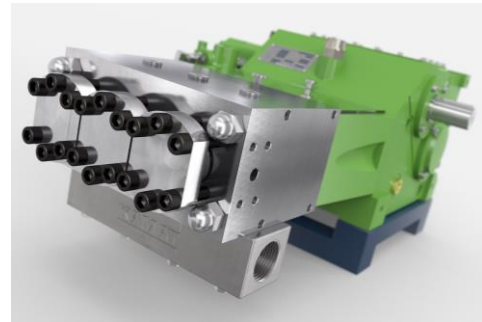
三柱塞泵 K 8000 – 3G

P 5-1

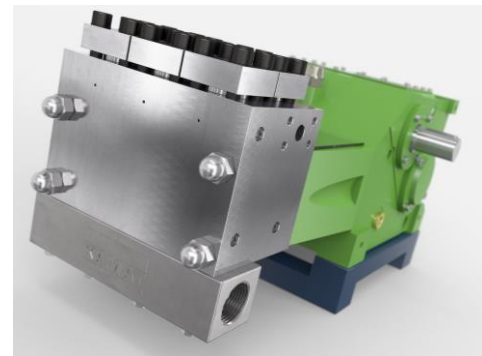
Triplex Plunger Pump

07.12.2015

- 流量基于100%的容积率和20°C的环境温度
- 最小入口压力取决于流体介质
- 速度范围10-100%取决于连杆力
- 喷射润滑齿轮
- 标准减速比
 $i = 2,75 - 3,22 - 3,68$
- 适用 API 674 标准
- 根据要求, 可以使用特殊介质, 例如海水, 乙二醇, 甲醇, 油等



- Flow rate is based on 100% volumetric efficiency and 20°C ambient temperature
- min. inlet pressure depending on fluid medium
- Speed range 10-100% depending on rod force
- Gear with splash lubrication
- Standard gear ratios
 $i = 2,75 - 3,22 - 3,68$
- Also available to API 674
- Special medium such as sea water, glycol, methanol, oils, etc. on request



$n_{nom} = 530 \text{ 1/min}$		p max. bar @ kW				Kopftyp / Head type		
Typ / Type	l/min	45 kW	55 kW	60 kW	75 kW	A	M	MC
K 8012 – 3G	13	1770	2160	2360	2950	1		
K 8014 – 3G	18	1280	1590	1730	2150	1		
K 8016 – 3G	24	980	1220	1330	1660	1		
K 8018 – 3G	30	800	965	1050	1300	1		
K 8020 – 3G	37	660	800	870	1065	1		H
K 8022 – 3G	45	545	665	725	890	1		H
K 8024 – 3G	54	460	555	605	755	1		H
K 8026 – 3G	63	390	475	515	645	1		H
K 8028 – 3G	73	335	410	445	555	1		H
K 8030 – 3G	84	280	345	375	470	1	1	H
K 8032 – 3G	96	245	300	330	410	1	1	1
K 8036 – 3G	121	190	235	255	320		1	1
K 8040 – 3G	150	155	190	205	255		1	1
K 8045 – 3G	190	120	150	160	200			1
K 8050 – 3G	234	100	120	130	165			1
K 8055 – 3G	283	80	100	110	135			1

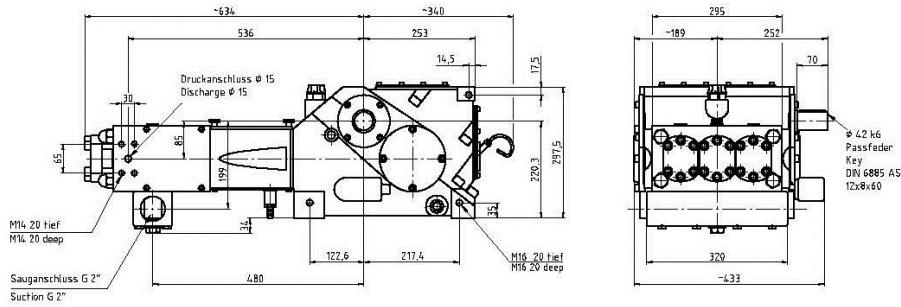
API 674 = max. 400 1/min

= Ultra High Pressure UHP

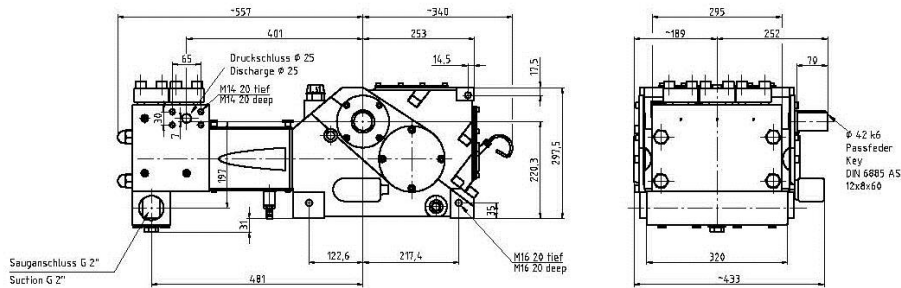
尺寸图 K 8000 – 3G
Dimension drawing

~ 250 kg P 5-2
01.05.2017

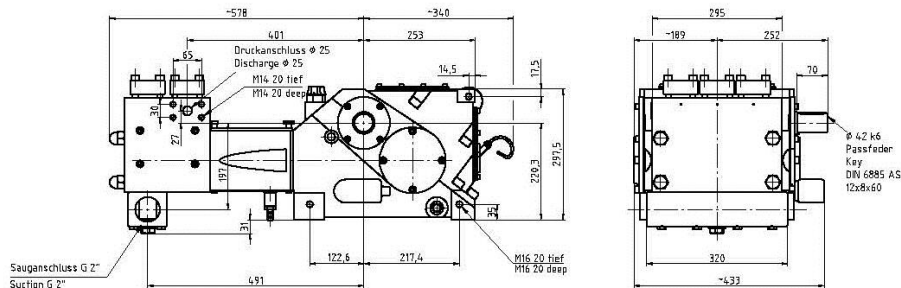
Typ A
Type A



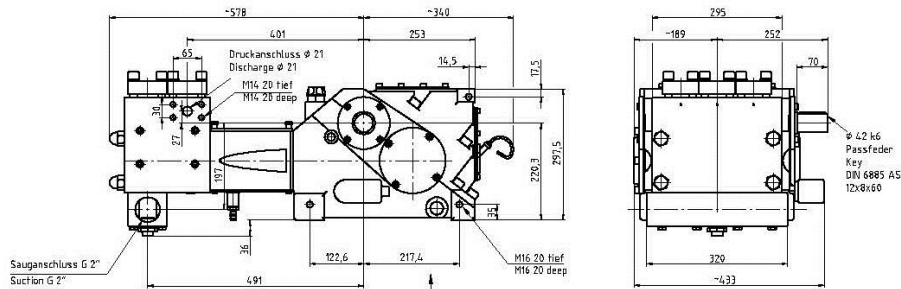
Typ M
Type M



Typ MC
Type MC



Typ MCH
Type MCH



Typ A
Type A
 \geq 1500 bar

